



Technical data

Transformer of any type has built-in self-resetting protection system after:

- short-circuit,
- overload (load > 200% P_n),
- over-voltage,
- thermal protection (cut off temp. <110°C)

Design of the transformer allows to:

- connect any load even 1 W LED,
- dimmable –supply through dimmer,
- connect many transformers to one dimmer,
- connect wire up to 4 mm²,
- be placed on surface of indeterminate flammable class exp. furniture,
- simple and easy mounting (additional screw).

ELECTRONIC

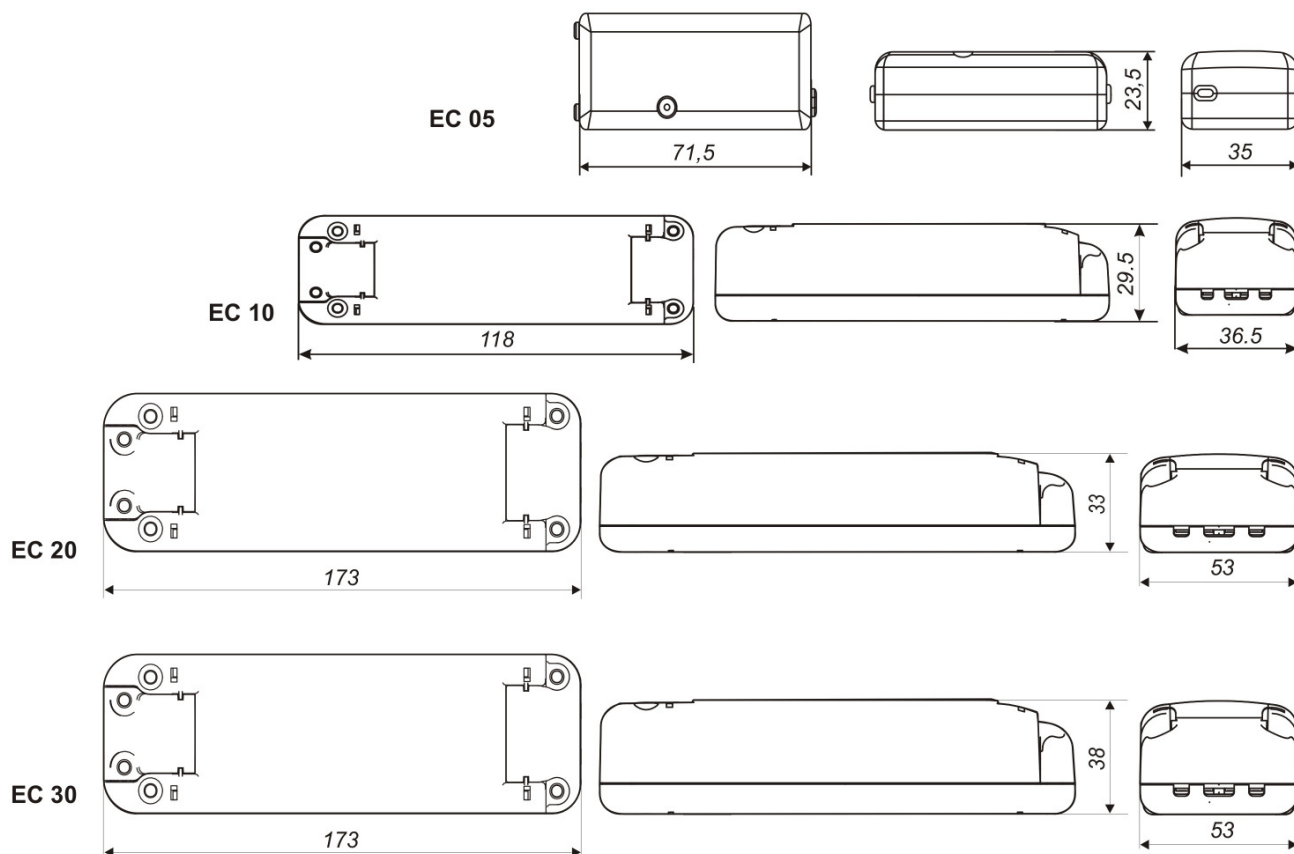
TRANSFORMERS

for low voltage halogen lamps

Technical parameters - summary

| | YT 50 | YT 60 | YT 70 | YT 105 | YT 150 | YT 210 | YT 250 |
|------------------------------------|-------------------------------|-------------------------------|------------------------|------------------------|------------------------|------------------------|------------------------|
| Output voltage | 230 V \pm 10% /50 Hz | 230 V \pm 10% /50 Hz | 230 V \pm 10% /50 Hz | 230 V \pm 10% /50 Hz | 230 V \pm 10% /50 Hz | 230 V \pm 10% /50 Hz | 230 V \pm 10% /50 Hz |
| Input current | 0,22 A at 50 W | 0,27 A at 60 W | 0,35 A at 70 W | 0,45 A at 105 W | 0,65 A at 150 W | 0,93 A at 210 W | 1,1 A at 250 W |
| Power | 50 VA; 0-50 W | 60 VA; 0-60 W | 70 VA; 0-70 W | 105 VA; 0-105 W | 150 VA; 0-150 W | 210 VA; 0-210 W | 250 VA; 0-250 W |
| Output voltage / output current | 11,5 V max. 4,3A | 11,5 V max. 5A | 11,5 V max. 6,5 A | 11,5 V max. 9,5 A | 11,5 V max. 13 A | 11,5 V max. 18 A | 11,5 V max. 22 A |
| Power factor | > 0,99 | > 0,99 | > 0,99 | > 0,99 | > 0,99 | > 0,99 | > 0,99 |
| Ambient temp. | 0 – 40°C | 0 – 40°C | 0 – 40°C | 0 – 40°C | 0 – 40°C | 0 – 40°C | 0 – 40°C |
| Safety class | II | II | II | II | II | II | II |
| Housing | EC 05 | EC 05 | EC 10 | EC 10 | EC 20 | EC 30 | EC 30 |
| Output terminals | wire 2 x 0,5 mm ² | wire 2 x 0,5 mm ² | 2 | 2 | 4 | 4 | 4 |
| Input terminals | 2 wires 2 x 1 mm ² | 2 wires 2 x 1 mm ² | 2 | 4 | 6 | 6 | 6 |
| Weight | 75 g | 75 g | 115 g | 120 g | 235 g | 285 g | 285 g |
| Degree of protection | IP44 | IP44 | IP44 | IP44 | IP44 | IP44 | IP44 |

Housing dimensions



Installation hints

| Type | Min. diameter of the input wire at nominal load | Total diameter of the output wires at the nominal load |
|-----------------|---|--|
| YT 50/ YT 60 | 2 x 0,25 mm ² | 2 x 1 mm ² |
| YT 70 | 2 x 0,4 mm ² | 2 x 1,5 mm ² (4 x 0,75) |
| YT 105 | 2 x 0,5 mm ² | 2 x 2,0 mm ² (4 x 1,0) |
| YT 150 | 2 x 1,0 mm ² | 2 x 3,0 mm ² (4 x 1,5) |
| YT 210 / YT 250 | 2 x 1,5 mm ² | 2 x 5,0 mm ² (4 x 2,5) |

| Min. diam. of the output wires for the single bulb | | |
|--|----------------------|--|
| 20 W | 0,50 mm ² | |
| 35 W | 0,75 mm ² | |
| 50 W | 1,00 mm ² | |